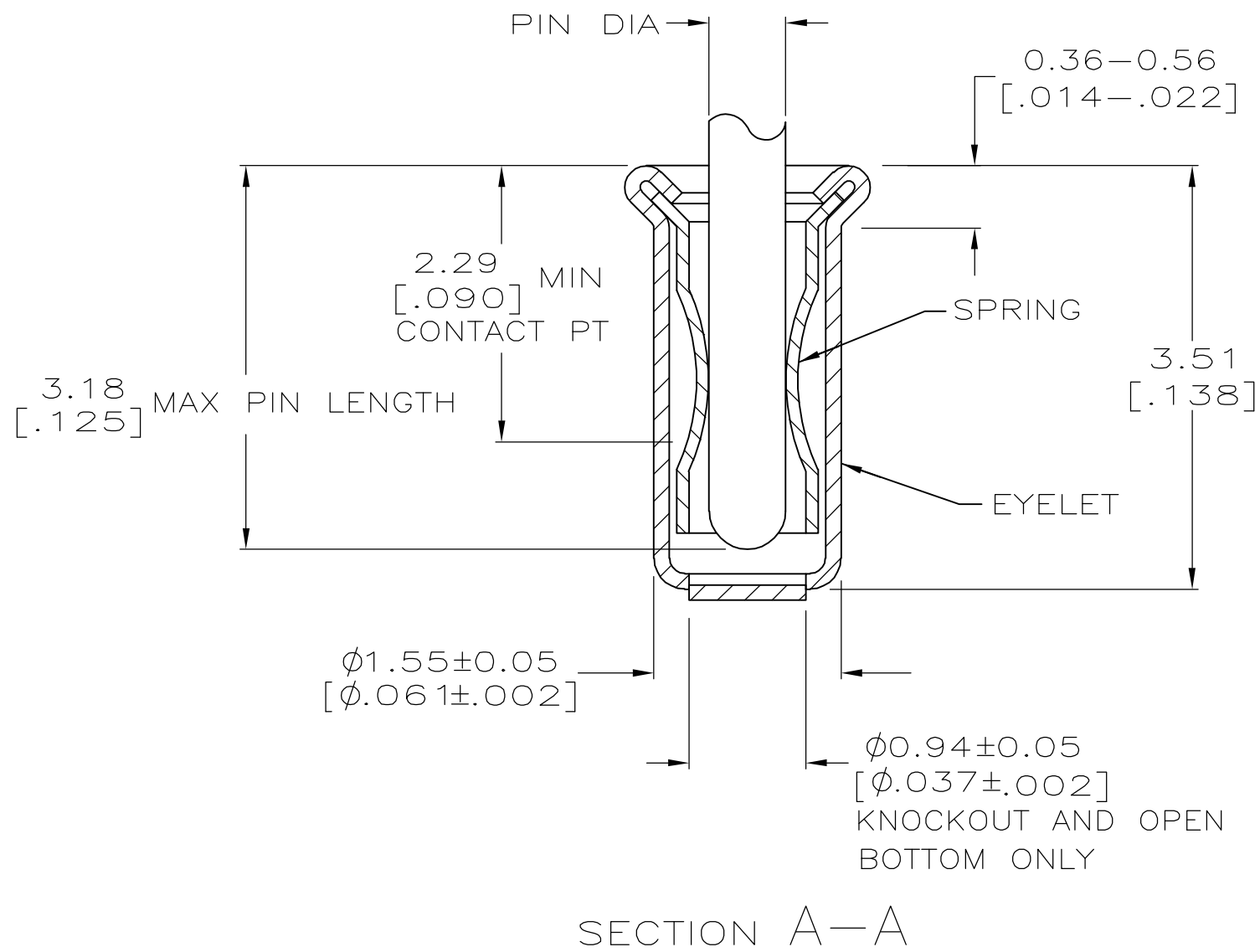
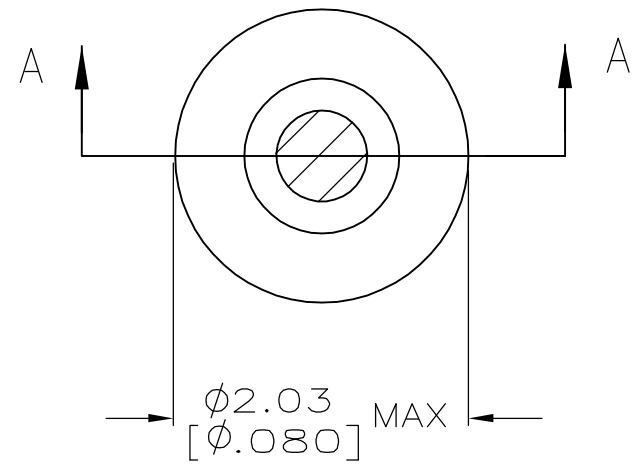


THIS DRAWING IS UNPUBLISHED. RELEASED FOR PUBLICATION
 © COPYRIGHT BY TYCO ELECTRONICS CORPORATION. ALL RIGHTS RESERVED.

LOC		DIST		REVISIONS			
P	LTR	DESCRIPTION		DATE	OWN	APVD	
		0		PER EC-0511-0022-05	22APR2005	AF JGH	



1. TIN PLATE PER ASTM B 545 0.00254 [.000100] MIN THICK.
2. GOLD PLATE PER ASTM B 488 0.00076 [.000030] MIN THICK OVER NICKEL PLATE PER QQ-N-290 0.00028 [.000011] MIN THICK ON CONTACT AREA.
3. RECOMMENDED HOLE SIZE, PLATED OR UNPLATED:
 MACHINE INSERTION: $1.57 \begin{matrix} +0.10 \\ -0.08 \end{matrix} \begin{matrix} [.062 +.004 \\ -.003] \end{matrix}$
 HAND INSERTION: $1.60 \begin{matrix} +0.10 \\ -0.00 \end{matrix} \begin{matrix} [.063 +.004 \\ -.000] \end{matrix}$
4. APPLICATION TOOL PART NUMBER: MACHINE NO. 682127-4
 INSERTION HEAD NO. 682039-3
5. TO INSURE PROPER SPRING TENSION DO NOT EXCEED A 0.05 [.002] DIFFERENCE IN PIN DIA WHEN CHANGING TO A SMALLER PIN.
6. BOTTOM PLUG KNOCKOUT TOOL PART NUMBER 69729 WITH TIP PART NUMBER 69728-1.
7. MATERIAL: BERYLLIUM COPPER PER ASTM B 194
 EYELET: COPPER PER ASTM B 152

OPEN	0.76-0.84 [.030-.033]	TIN 1	GOLD 2	7-5331677-4
CLOSED	0.66-0.74 [.026-.029]			
KNOCKOUT	0.76-0.84 [.030-.033]			3-5331677-4
	0.66-0.74 [.026-.029]			3-5331677-2
OPEN	0.76-0.84 [.030-.033]			2-5331677-4
	0.76-0.84 [.030-.033]			2-5331677-2
CLOSED	0.56-0.64 [.022-.025]		TIN 1	1-5331677-8
	0.76-0.84 [.030-.033]			1-5331677-6
				1-5331677-3
BOTTOM TYPE	RECOMMENDED PIN DIA 5	EYELET	SPRING	PART NO
		FINISH		

THIS DRAWING IS A CONTROLLED DOCUMENT.

DWN: A. FERNANDEZ-DOCK5 22APR2005
 CHK: J. HAVENER 22APR2005
 APVD: J. HAVENER 22APR2005

tyco Electronics Tyco Electronics Corporation
 Harrisburg, PA 17105-3608

NAME: MINIATURE SPRING SOCKET ASSEMBLY

PRODUCT SPEC: 108-14008

APPLICATION SPEC: 114-13152

SIZE: A2 CAGE CODE: 00779 DRAWING NO: 5331677 RESTRICTED TO: -

MATERIAL: NOTE 7 FINISH: SEE TABLE WEIGHT: - CUSTOMER DRAWING SCALE: 20:1 SHEET: 1 of 1 REV: 0

5331677